

IMPORTANT! KEEP THE INSTRUCTION FOR FURTHER REFERENCE

Chelino

AMBER INSTRUCTION MANUAL



33lbs

15kg

Suitable from birth to 36 months.

IMPORTANT-PLEASE READ THE INSTRUCTION FULLY BEFORE STARTING ASSEMBLY



Safety Information

IMPORTANT-PLEASE READ THE INSTRUCTION BEFORE ASSEMBLY AND KEEP IT FOR FURTHER REFERENCE

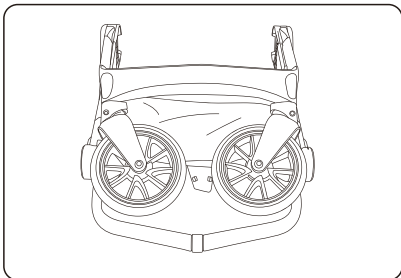
Thank you for choosing our product. Please always read all the instructions provided carefully before use and remember, your child's safety may be affected if you don't follow these instructions. The stroller is suitable for children under 36 months. The max load of the stroller is 15kgs. Never overload.

- **WARNING:** Do not use if any part is broken, torn or missing .
- **WARNING:** Never leave your child unattended.
- **WARNING:** Always use the restraint system.
- **WARNING:** It may be dangerous to leave your child unattended.
- **WARNING:** This seat unit is not suitable for children over 36 months.
- **WARNING:** Accessories which are not approved by the manufacturer shall not be used.
- **WARNING:** Avoid placing the stroller near naked heat sources such as electric bar fires, gas fires, etc. or where a child could gain access to any other kinds of hazards.
- **WARNING:** Always use the harness provided and make sure the harness is correctly fitted.
- **WARNING:** Ensure that all the locking devices are engaged before use.
- **WARNING:** The brake must be engaged when placing and removing the children.
- **WARNING:** This product is not suitable for running or skating.
- **WARNING:** To avoid injury ensure that your child is kept away when unfolding and folding this product.
- **WARNING:** Do not let your child play with this product.
- **WARNING:** Use the stroller for only one child at a time.
- **WARNING:** The maximum permissible loading for shopping basket is 2kg.
- **WARNING:** For new born baby, please use the most reclined position as the baby does not have ability to control its head.
- **WARNING:** Only replacement parts supplied or recommended by the manufacturer/distributor shall be used
- **WARNING:** Any load attached to the handle and/or on the back of backrest and/or on the sides of the stroller will affect the stability of the stroller.

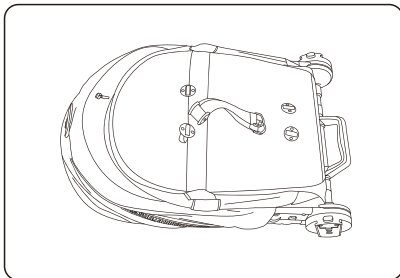
- **WARNING:** Check that the bassinet or seat unit or car seat attachment devices are correctly engaged before use.
- **WARNING:** Do not use additional mattresses.
- **WARNING:** Stop using the bassinet once your child is able to sit unaided, roll over or can push themselves up on their hands and knees or are 9kgs in weight and over.
- **WARNING:** carrying handles shall be left out of the pram body during use.
- **WARNING:** The infant car seat does not replace a bassinet, cot or bed.
- **WARNING:** Always use the 5 point safety harness to avoid your child from falling or sliding out of the infant seat and seat unit.
- **WARNING:** Parcels or accessory items, or both, placed on the unit may cause the unit to become unstable.
- **WARNING:** Excessive weight may cause a hazardous unstable condition to exist .

Due to variation on the styles and designs of our products, the photographs and illustrations shown in this manual are generic. Therefore products fabric, colour and design may vary from images shown, Chelino reserves the right to alter products specifications.

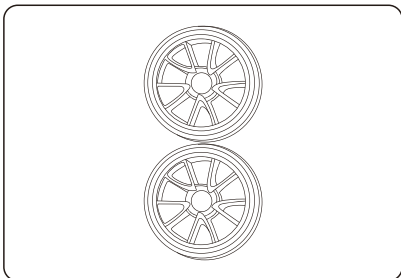
Components



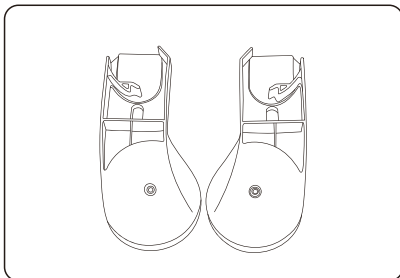
Pram frame / chasis



Seat unit



Front & rear wheels

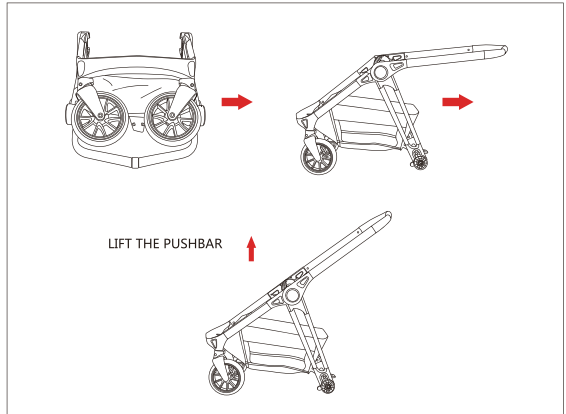


Car seat Adaptor

Assembly instructions - Unfold the stroller

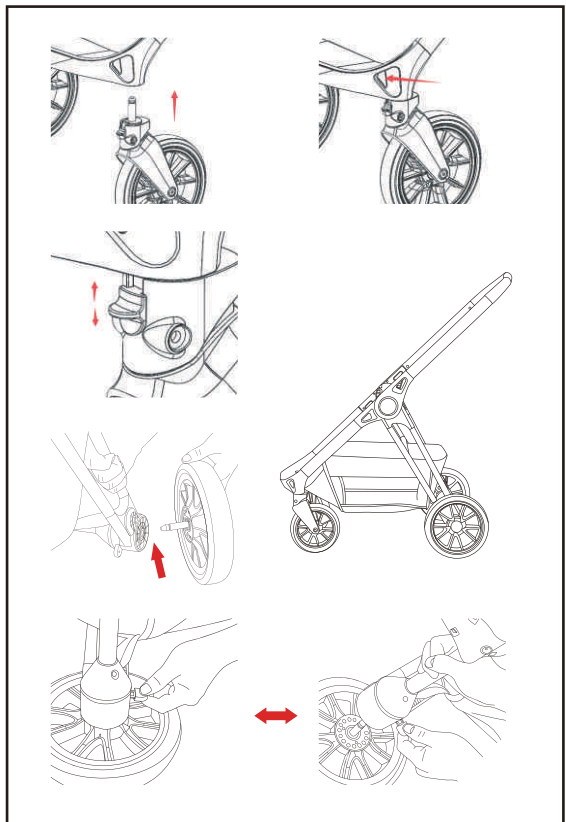
Unfold the stroller

Remove the content from the box.
Separate and set aside all loose parts such as front trays, wheels, axles etc.
Once you have separated all the loose parts, take the pram frame/classis aside.
Cut/remove/unhook or unclip any fasteners that keep the pram frame/classis locked.
Lift the handlebar up until it locks into position.
The pram frame/classis will be ready for the next step once the handlebar is locked into position and the wheel basis is extended and locked in.



Front & rear wheel installation

Insert the front wheel into the front wheel foot end as shown in the diagram. Please ensure the you insert the wheel marked with an (R) into the foot end marked with the (R) and the wheel marked with an (L) into the foot end marked with an (L).
The same will apply for the rear wheels.
Please double check that the wheels are correctly and properly inserted by gently tugging / pulling on the wheel.
To remove the wheels press the release buttons on the foot end for the front wheels and press the button on the back wheel hub and pull the wheel out.

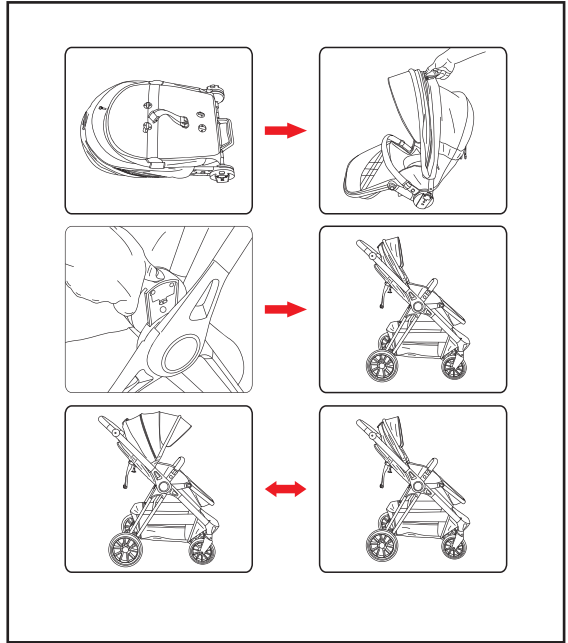


Seat Assembly & Disassembly

1. Unfold the seat as per the illustration.

2. Align the seat with the anchors on the side of the stroller frame and push them together until they click securely.

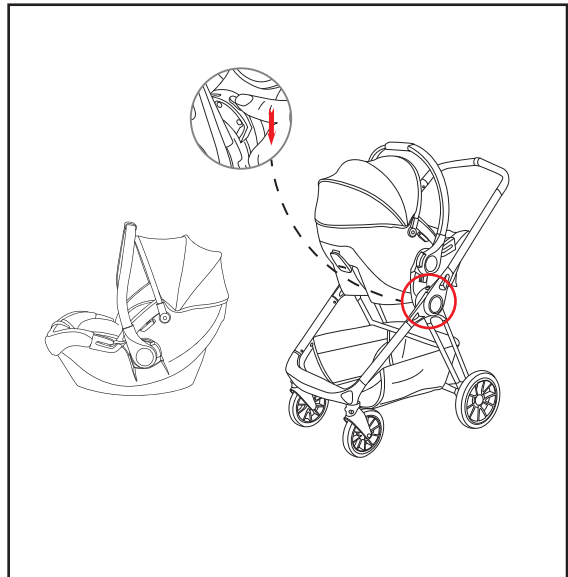
3. Extend the canopy to the opening position and adjust the canopy freely according to your desired angle.



Car seat assembly & disassembly

1. Insert car seat adaptor into the slot on each side of the car seat.

2. Install car seat onto the frame as per the illustration, until you hear a "CLICK" to make sure car seat securely attached to the frame.

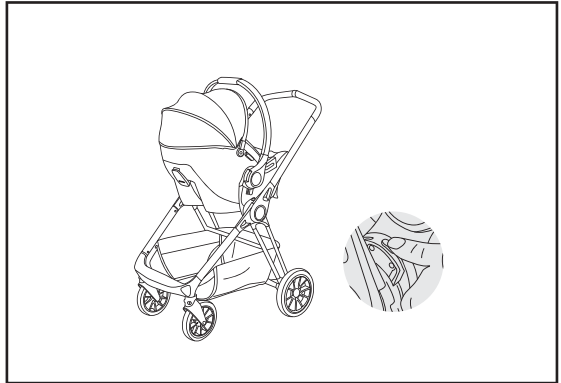


Carseat facing direction

Press the release button located on each side of car seat, lift to remove the car seat from the frame.

The car seat can be installed onto the frame on rearward facing direction.

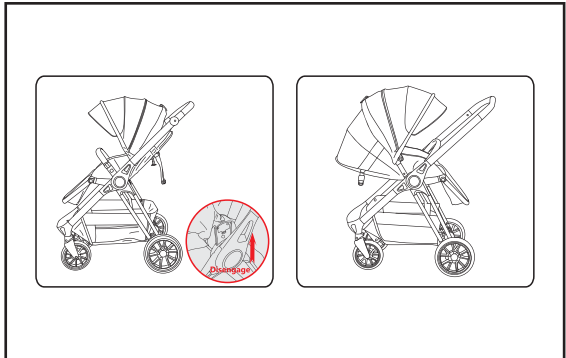
The car seat can only be used in a rearward facing position.



Seat direction adjustment

The seat can face in either direction, forward facing or rearward facing.

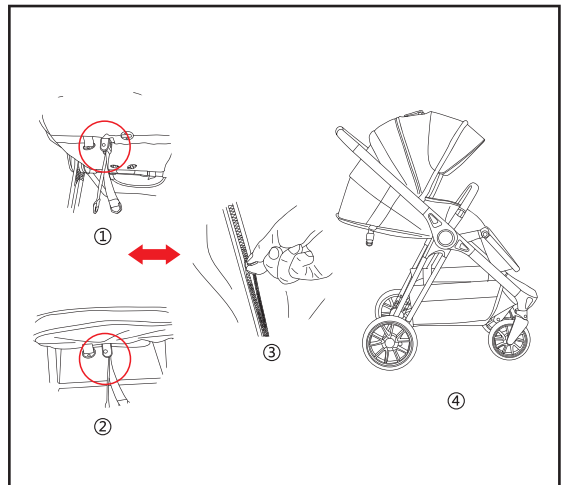
Press the release button on each side, to take out the seat and adjust the direction of the seat.



Seat backrest adjustment

As per figure 1 shown, locate the buckle on the back of the seat, and release it on both sides to get the backrest 1/2 reclined

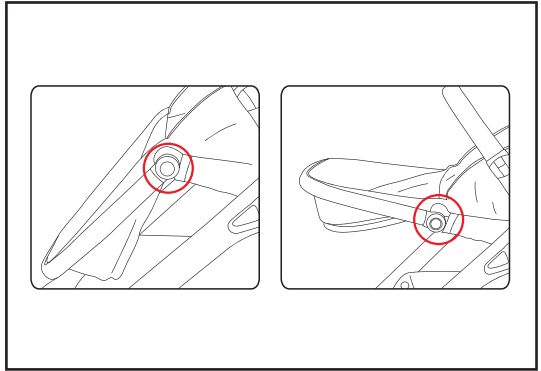
To fully recline the seat unzip the zipper located on the edge of the seat as shown on figure 3 & 4.



Footrest adjustment

Press the buttons on both sides of the footrest support to adjust up or down.

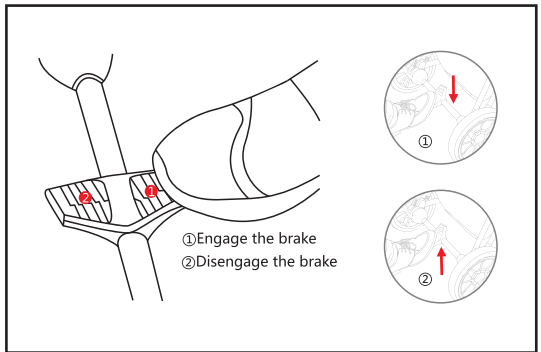
Adjust the foot pedal to the required position.



Brake operation

To engage brakes, apply downward pressure to the brake lever located on the rear axle. The pram might have to be rolled back and forth to fully engage the brake. Check that the pram will not move once the brakes are properly applied.

To release, gently lift up on the brake lever.



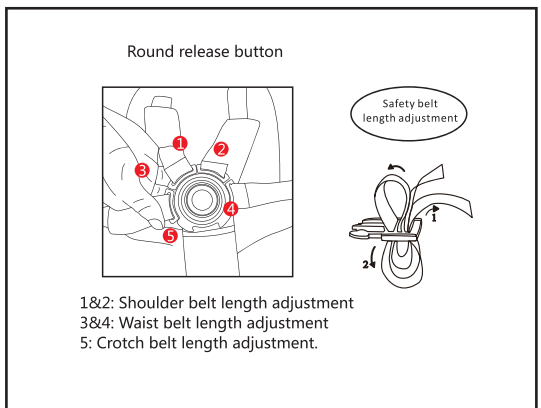
5-point safety harness

Insert the shoulder strap buckle ① into the buckle housing of center hub. Repeat for the other side ②.

Insert the completed waist buckle ③+④ into the buckle housing too.

Ensure all the buckles engage the housing securely in place.

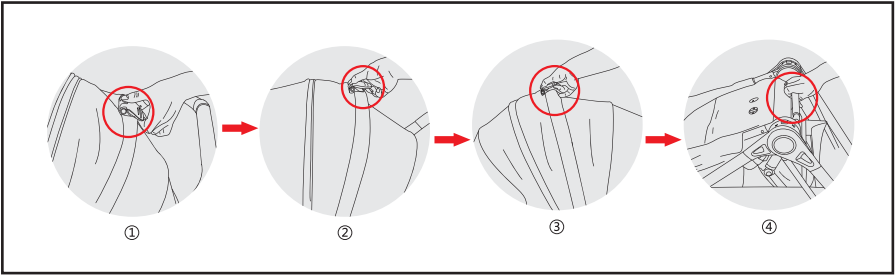
To release buckles, press center button on buckle housing.



The shoulder straps of the 5-point harness have 2 attachment positions. Select the position that places the shoulder strap level with, or below the top of the child's shoulder.

To adjust harness height unhook the shoulder strap from the crotch buckle. Feed the shoulder strap through the harness spread slots. You can access these slots from the rear of the seat underneath the fabric. Feed shoulder strap through the appropriate slot and reattach the shoulder strap to the crotch buckle.

To fold the stroller



Pull the stroller backward several inches to adjust the front wheels to the front.
Lift the release button on canopy and push forward on the rear edge of canopy toward the floor.
Make sure the front wheels lie flat, then secure the stroller in the folded position by pushing the handlebar backwards to be level with the rear frame.
Note: The stroller can be folded in parent facing position.

Care and Maintenance

General

This stroller was designed and manufactured with qualified materials and craftsmanship.
Always use the safety harness.

Inspect regularly for:

- Worn parts, torn materials or stitching .
- Loose screws , bent or broken frame parts .
- Broken, damaged or missing parts.

Should any of the above be evident do not use this stroller.

Care and Maintenance:

Fabric parts may be cleaned in accordance with the fabric care labels. Do not machine wash.

Seat: Sponge clean only

Canopy/Basket: Hand wash only.

Do not leave the stroller exposed to heat i.e. by a radiator or in direct sunlight.

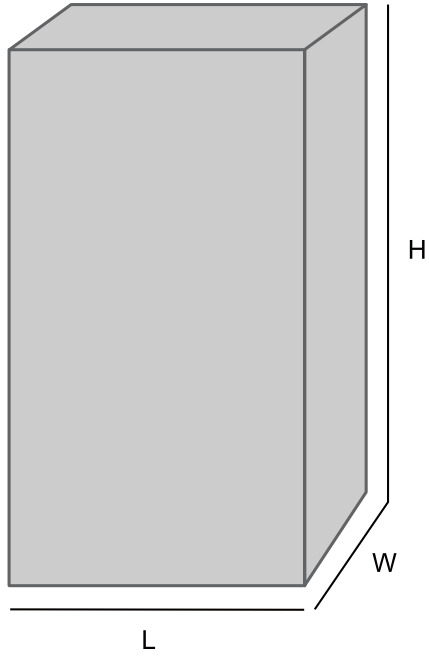
If the stroller chassis parts have been exposed to salt water we recommend that they be rinsed down with fresh (tap) water as soon as possible. Do not fold or store the product while wet and never store in a damp environment as this can cause mildew to form.

Dimension Info



LENGTH	89 CM	FOLDED LENGTH	71 CM
WIDTH	55 CM	FOLDED WIDTH	44.5 CM
HEIGHT	104 CM	FOLDED HEIGHT	83 CM

WEIGHT	10.5 KGS
--------	----------



CARTON LENGTH	51 CM
CARTON WIDTH	28 CM
CARTON HEIGHT	80 CM

SAFETY HINTS\INSTRUCTIONS OF USE \ WARRANTY & GAURANTEE GUIDELINES

- 1.Please read this User Guide thoroughly before using this product. If you are not sure on any point in this guide please consult with the sales person whom sold you this product or contact Chelino on 0118352520. Our offices hours are Monday to Thursday from 9:00 am to 13:00 pm and 14:00 pm to 16:30 pm and Fridays from 9:00 am to 12:00 pm and 14:00 pm to 16:30 pm. Our offices are closed on Saturdays, Sundays, Public holidays and for three weeks during the December/ January festive season. We are situated at 12 Kimberlite Road, Theta Ext, Booyens Reserve, 2091, Johannesburg, Gauteng, RSA.
- 2.To avoid suffocation or swallowing or any other illness, please keep all packaging which have been removed from parts wrapped in the box away from infants, toddlers, children or any other living being. Please carefully dispose of the unwanted packaging once this product is fully assembled and you are satisfied with your purchase.
- 3.Please make sure that you are entirely satisfied with your purchase before removing the warning card attached to this product and before using this product. Once the warning card has been removed and if this product has been used we will not accept the return of this product.
- 4.If you are not entirely satisfied with this product purchased, please disassemble this product and re-pack it in the original packaging and return it to the store you purchased it from together with the proof of purchase. Depending on the stores policy, you will either be entitled to a replacement product, a credit voucher or a refund. This depends on the stores policies.
- 5.If you are not entirely satisfied with the assemble of this product or if you are not 100% sure that you have assembled this product correctly, please take this product back to the store you purchased it from and request for some assistance in checking if the assembly is correct or get this product assembled. Depending on the store's policy, there could be an extra charge for this service. Chelino will not take any responsibility if this product is incorrectly assembled thus causing any sort of injury to the user or the child. Alternatively you can contact Chelino directly on 0118352520,our offices hours are Monday to Thursday from 9:00 am to 13:00 pm and 14:00 to 16:30 pm and Fridays from 9:00 am to 12:00 pm and 14:00 pm to 16:30 pm. Our

offices are closed on Saturdays, Sundays, Public holidays and for three weeks during the December/ January festive season. There is a charge for the assembly of any product. If you require a Chelino representative to assemble this product you will have to bring this product to our offices which are situated at 12 Kimberlite Road, Theta Ext, Booyens Reserve, 2091, Johannesburg, Gauteng, RSA.

6. Please note, that any repair which will need to be made to this product must be done at the Chelino workshop which is situated at 12 Kimberlite Road, Theta Ext, Booyens Reserve, 2091, Johannesburg, Gauteng, RSA. Our office hours are Monday to Thursday from 9:00 am to 13:00 pm and 14:00 pm to 16:30 pm and Fridays from 9:00 am to 12:00 pm and 14:00 pm to 16:30 pm. Our offices are closed on Saturdays, Sundays, Public holidays and for three weeks during the December/ January festive season. We do not provide any loan/courtesy products while your product has been sent in for repairs. Chelino requires 7 working days to repair any product, but this lead time may vary depending on the transportation of the product too and from yourself. Once the warranty card is detached from this product and once this product is used even if used once and if there is a fault, this product will need to be sent to the Chelino Workshop for the repair and no refund/credit/exchange will be allowed. Only a Chelino representative can decide whether the product needs to be replaced/credited/exchanged.

7. Once you are satisfied with the assembly of this product and have read this instruction and agree to the terms stated and are ready to use this product, please ensure that all safety locks are engaged to ensure safe use of this product.

8. Please ensure that the child is always securely strapped into this product at all times. The seat belts must be properly adjusted to keep the child secured. If the seat belt is too loose the child could fall out thus causing injury. If the seat belts are too tight it will cause injury and aggravation to the child.

9. Never leave the child unattended or without parent/guardian supervision while in this product, as injury could be caused by other parties intentionally or unintentionally. This product can be knocked over and the child can be injured.

10. Never lift this product while the child is in it. This can cause this product to fold and thus causing injury to the child seated in this product. When confronted with a staircase, no matter how many steps there are, please use the alternatives such as an elevator/lift or ramp or remove the child from this product before using the staircase.

11. Never allow the child to stand on the seat of this product. This can cause this product to fold and thus causing injury to the child. The child can also fall out of this product causing injury to him\herself. This can also cause damage to structure of this product.

12. This product is designed for the use of only one child. This product cannot accommodate more than one child.

13. Always engage the brake when you are not using this product. Please note, by applying the brake one still cannot leave the child unattended and without parent supervision. If the brake is not engaged properly the product will move.

14. Take special care when adjusting the backrest if the child is seated in this product. It is preferred to select the desired backrest position before seating the child this product.

15. Prevent and do not allow any child to climb into this product or hang onto the handle bars or any other part of this product. This imbalance of weight can cause this product to topple thus causing injury.

16. Do not hang or place any diaper bag or shopping bags or any other item over the handle bars or canopy of this product. This weight can cause damage to this product and also cause this product to fold or topple.

17. Storage trays\storage compartments\cup holders are there for convenience and are not suitable for holding large amounts of liquids (hot or cold) or heavy objects. These areas are also not waterproof or leak proof and spillage can occur.

18. The storage basket situated underneath the seat can hold a maximum weight of 2.5kgs. Do not place any items heavy than 2.5kgs and items which do not fit in this basket as this will hamper the performance of this product.

19. This product is fit to carry a child weighing no more than 18kgs.

20. This product was designed to be used on smooth surfaces and in average weather climates. Do not use this product on rough terrains and uneven surfaces and in extreme weather conditions. Using this product in the undesired terrains and weather conditions can cause serious damage to this product and to your child.

21. Chelino takes no responsibility and will not be held liable for any damage or injury caused by using this product or if this product is used for any other purposes other than its intended purpose.

22. Please note, there are no warranties or guarantee on any fabrics or sponge grip handles used on this product.

ChelinoBaby®

Stores: ChelinoBaby – Ormonde - JHB

ChelinoBaby – Fourways – JHB

ChelinoBaby – Menlyn – Pretoria

ChelinoBaby – Kolonnade-Pretoria

ChelinoBaby – Gateway - Durban

ChelinoBaby – Online –www.chelinobaby.co.za



Importer:

Anchor International

Add: 12 Kimberlite Road , Theta Ext 5 Booyens Reserve , JHB
2091 South Africa.

Tel: +2711 8352520

Info: info@chelino.co.za