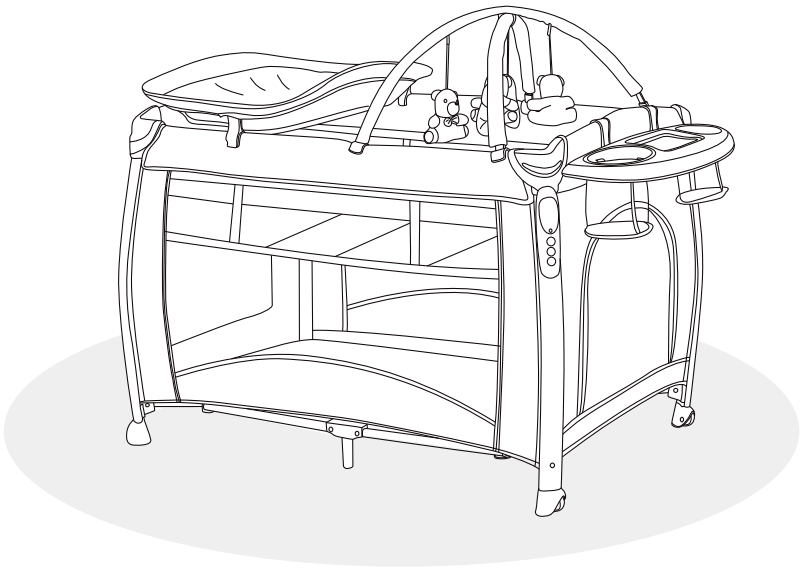


IMPORTANT! KEEP THE INSTRUCTION FOR FURTHER REFERENCE

Chelino

AMBER INSTRUCTION MANUAL



up to

33lbs

15kg

Suitable from birth to 36 months.

IMPORTANT-PLEASE READ THE INSTRUCTION FULLY BEFORE STARTING ASSEMBLY

IMPORTANT! KEEP FOR FUTURE REFERENCE

WARNING

Failure to follow these warnings and the instructions could result in serious injury or death.

- Not intended for sleeping in playard mode.
- Always provide the supervision necessary for the continued safety of your child. When used for playing, never leave child unattended.
- Only use the product with one child at a time.
- Do not move the product with child inside.
- To reduce the risk of SIDS (Sudden Infant Death Syndrome), pediatricians recommend healthy infants be placed on their back to sleep, unless otherwise advised by your physician.
- The product, including the side rails, must be fully erected prior to use. Make sure latches are secure.
- Never leave child in product with side lowered. Be sure side is in raised and locked position whenever child is in product.
- Product shall not be used without the mattress provided with the product.
- DO NOT use a water mattress with this product.
- Do not use a sheet designed to fit a full-sized crib. If a sheet is used with the pad, only use one specifically designed to fit this playard mattress.
- Do not use the playard if you cannot exactly follow these instructions.
- Do not modify playard or add any attachments that are not listed in the instruction guide.
- Keep carrying bag away from child.
- For indoor use only.
- Child can become entrapped and die when improvised netting or covers are placed on top of a playard. Never add such items to confine child in playard.

FALL HAZARD

Playard:

- When a child is able to pull to standing position, remove bumper pads, large toys, and other objects that could serve as steps for climbing out.
- Discontinue use of the product when child is able to climb out or reaches the height of 35 inches (890 mm) or weighs more than 30 lbs. (13.6 kg), whichever comes first.

Changing Table:

- The weight limit of the changing table is 25 lbs. (11 kg).
- Children have suffered serious injuries after falling from changing tables. Falls can happen quickly.
- Always stay within arm's reach of your child when using the changing table.
- ALWAYS secure this product to the playard using the attachment tubes or clips provided on this product. Ensure that the frame tubes are connected before attachment to the playard.
- Do not use the changing table as a sleeping or play area.
- STAY in arm's reach of your child.
- Never leave child unattended.

IC Music:

- Do not mix old and new batteries.
- Do not mix alkaline, standard (carbon-zinc), or rechargeable batteries.

STRANGULATION HAZARD:

- Strings can cause strangulation! Never place items with a string around a child's neck such as hood strings or pacifier cords. Never suspend strings over product or attach strings to toys.
- Never place product near a window or patio door where cords from blinds or drapes can strangle a child.
- Never leave the changing table in place when child is in the playard.

CHOKING HAZARD:

- Keep medication and small items that could choke a child away from the playard.

SUFFOCATION HAZARD:

Infants have suffocated...

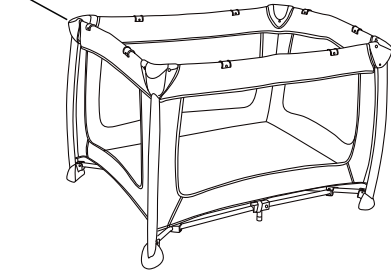
- on added pillows, blankets, and extra padding
 - Only use the pad provided by the manufacturer
 - Never place extra padding under or beside the infant.
 - Never add a mattress, pillow, comforter, or padding.
- when trapped between product and adjacent surface.
 - Only use when the product is securely attached to the playard
 - Never use this product in a different product.
- in gaps between extra padding and the side of products
- on soft bedding.
- in gaps between a mattress too small or too thick and product sides
- Always place infant on back to sleep
- Do not use the playard unless all of the washable fabrics are properly attached using all securing devices.
- Do not use the mattress without the boards properly installed.
- Do NOT store the bassinet in the playard while using the playard.
- Babies have suffocated while sleeping in changing areas. Changing areas are not designed for safe sleeping.
- NEVER allow baby to sleep in changing area.
- NEVER use plastic shipping bags or other plastic film as mattress covers not sold and intended for that purpose. They can cause suffocation.

IMPORTANT

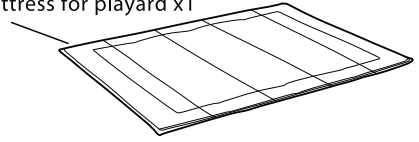
- Adult assembly required.
- Care should be taken in unpacking and assembly.
- Examine product frequently for damaged, missing, or loose parts.
- DO NOT use if any parts are missing, damaged, or broken.
- Contact Kids II for replacement parts and instructions if needed. Never substitute parts.
- Check this product for damaged hardware, loose joints, missing parts, or sharp edges before assembly and periodically during use.

Due to variation on the styles and designs of our products, the photographs and illustrations shown in this manual are generic. Therefore products fabric, colour and design may vary from images shown, Chelino reserves the right to alter products specifications.

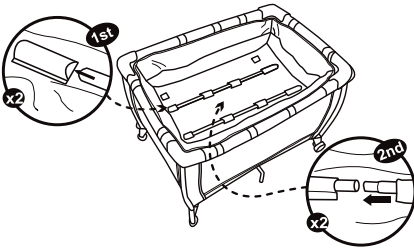
1. Playard assembly



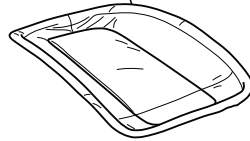
2. Mattress for playard x1



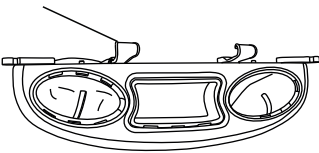
3. Bassinet x1



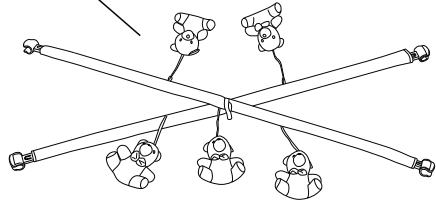
4. Change table cover



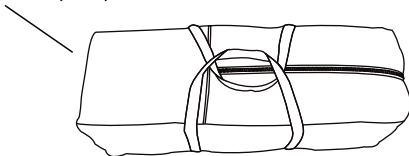
5. Organizer x1



6. Toy bars with 5 bear toys x1

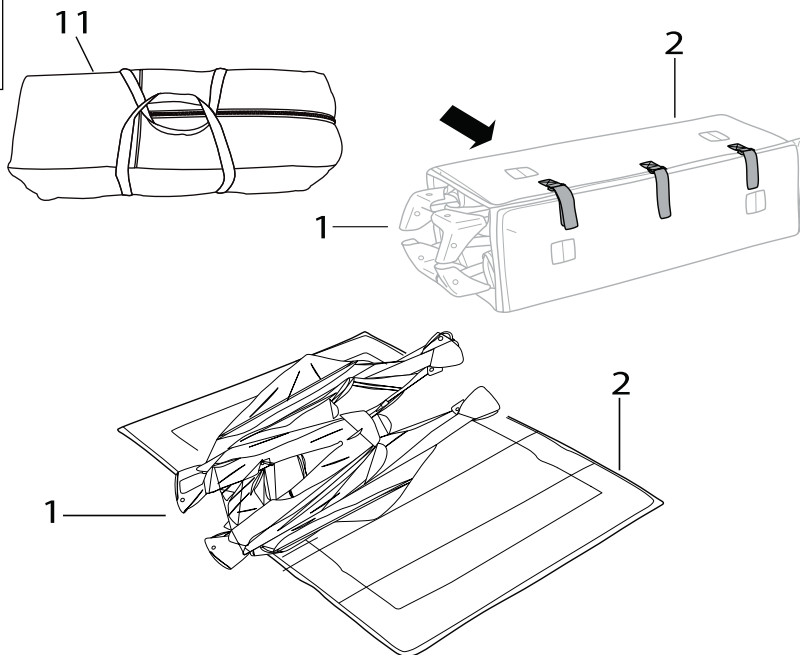


7. Carry bay x1

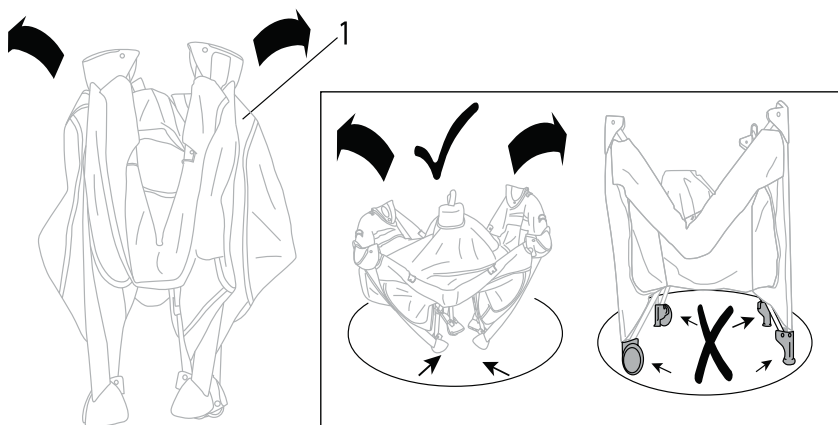


Assembly Instructions

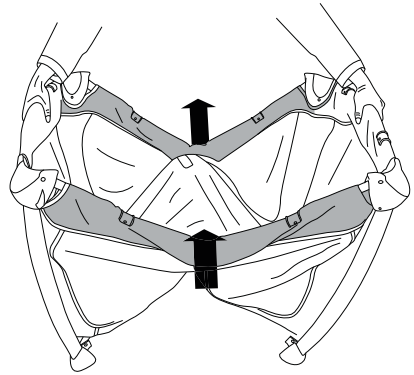
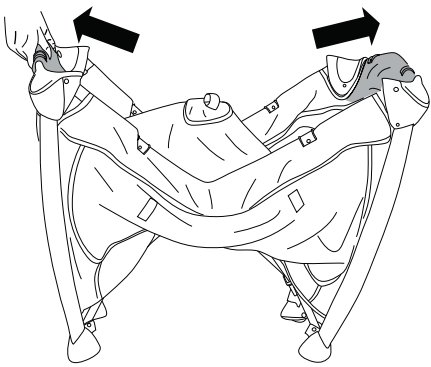
1



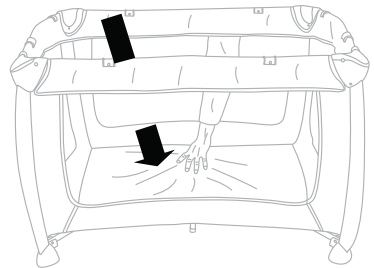
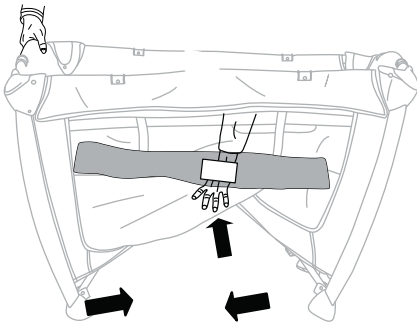
2



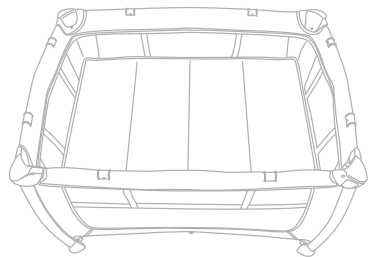
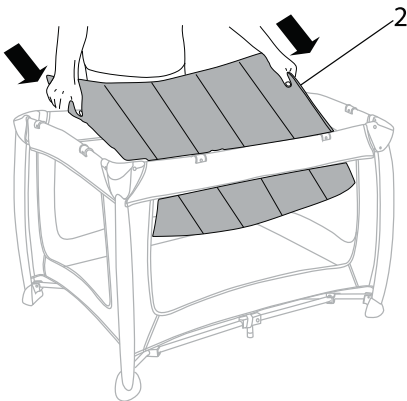
3



4

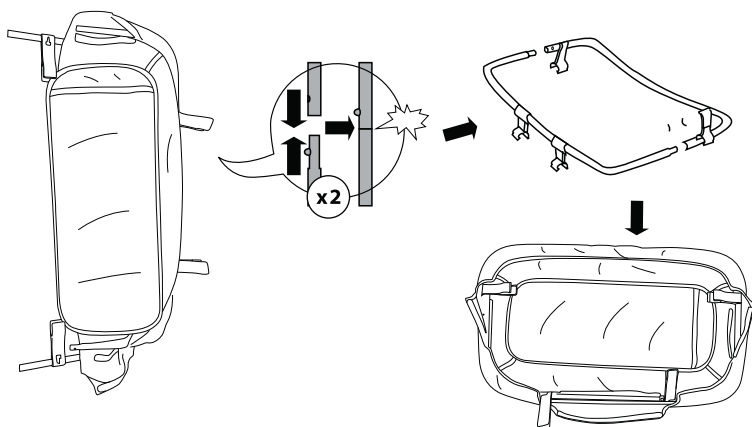


5

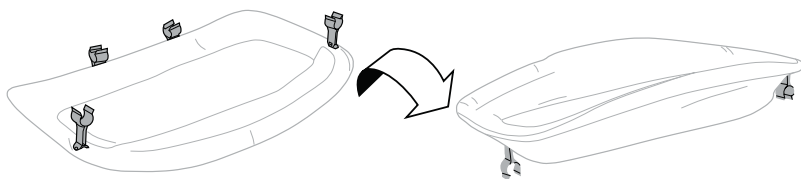


Changing Table Assembly

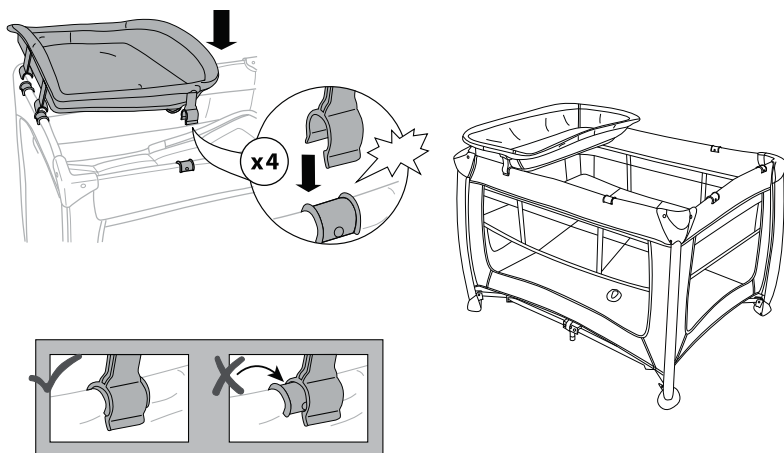
1



2

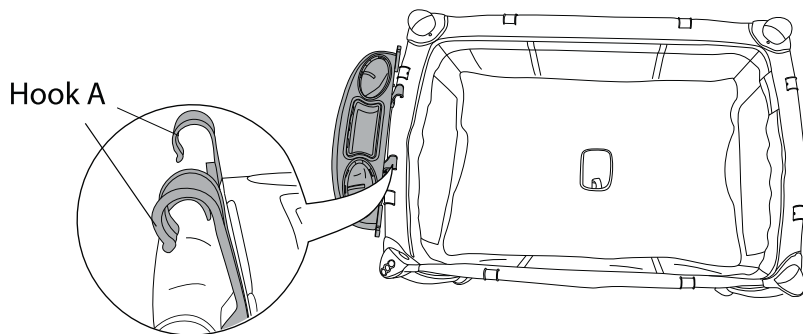


3

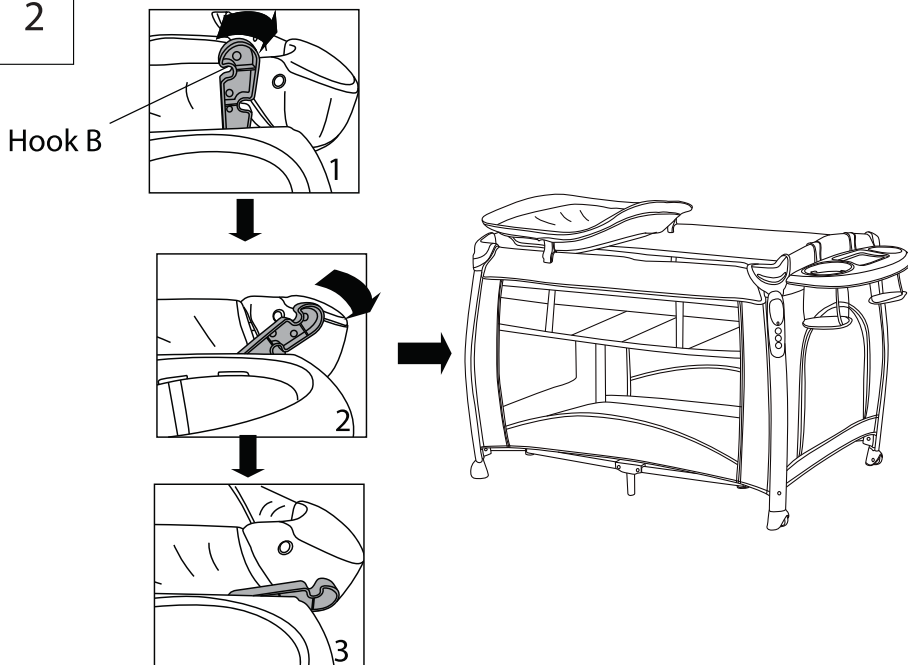


Organizer Assembly

1

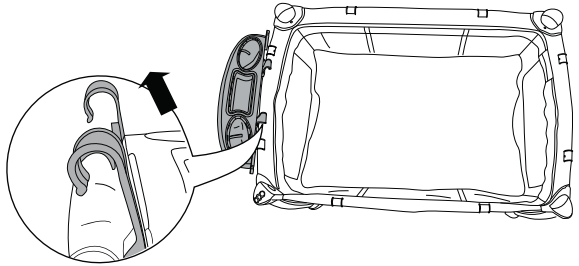


2

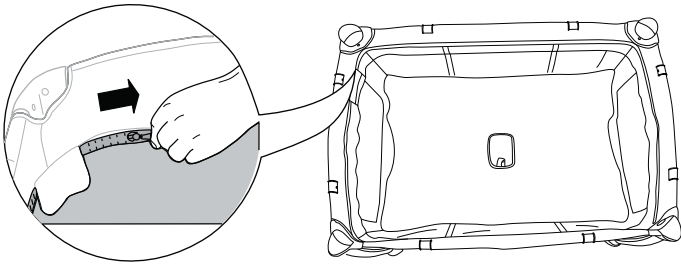


Folding the Playard

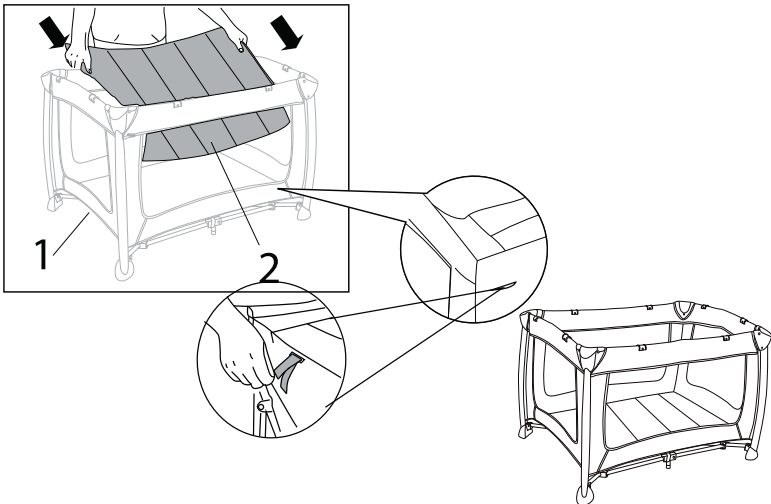
Remove the organizer.



Removing the Bassinet

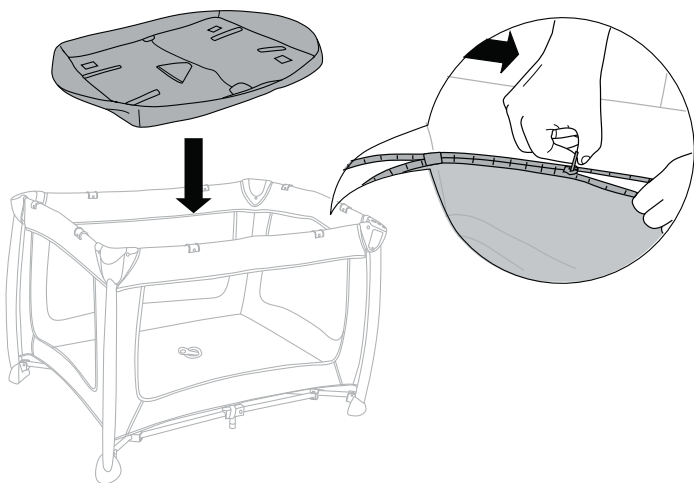


Playard Setup Without Bassinet

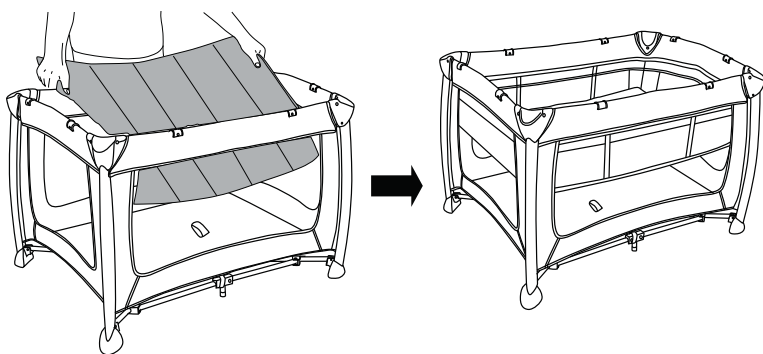


Installing the Bassinet

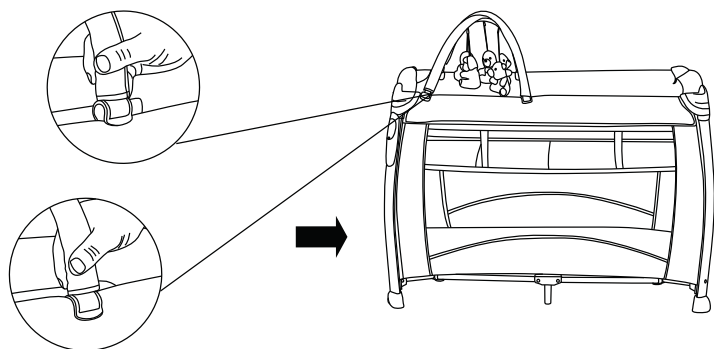
1



2

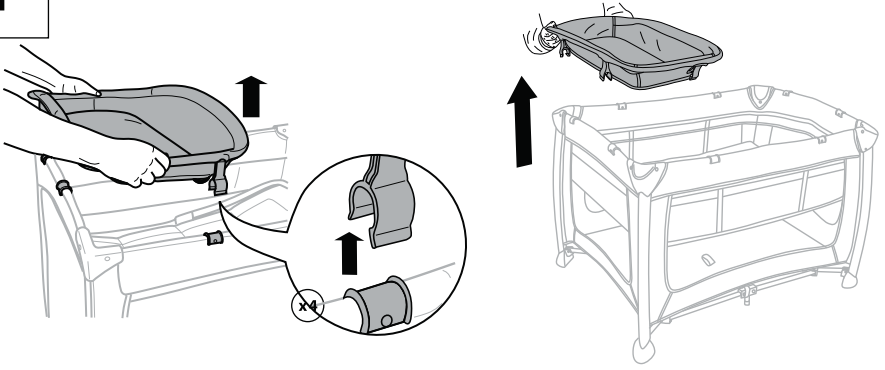


3

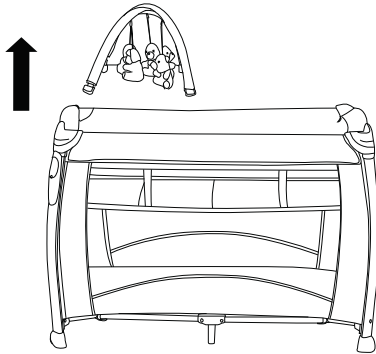


Folding the Playard

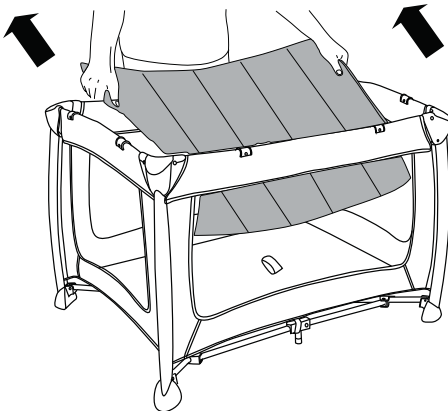
1



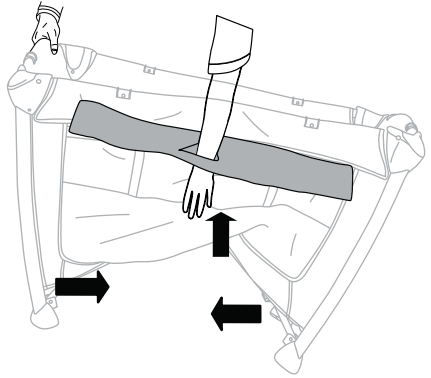
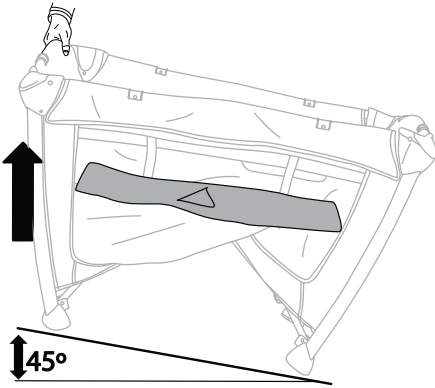
2



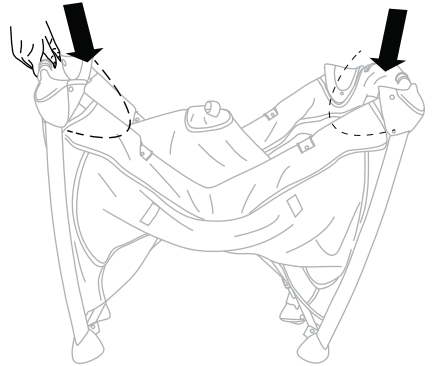
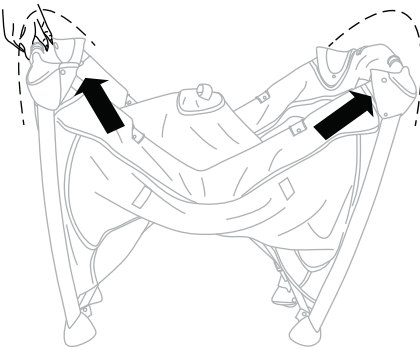
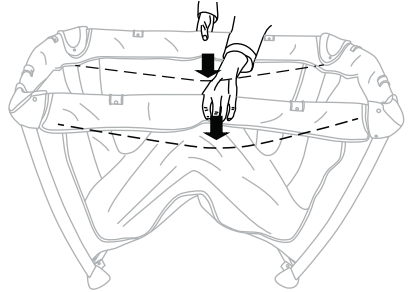
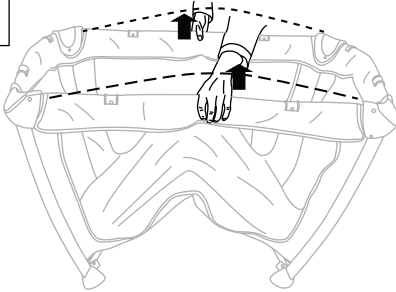
3



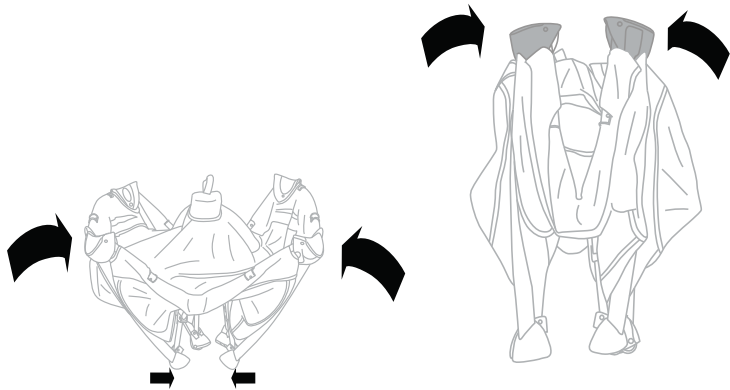
3



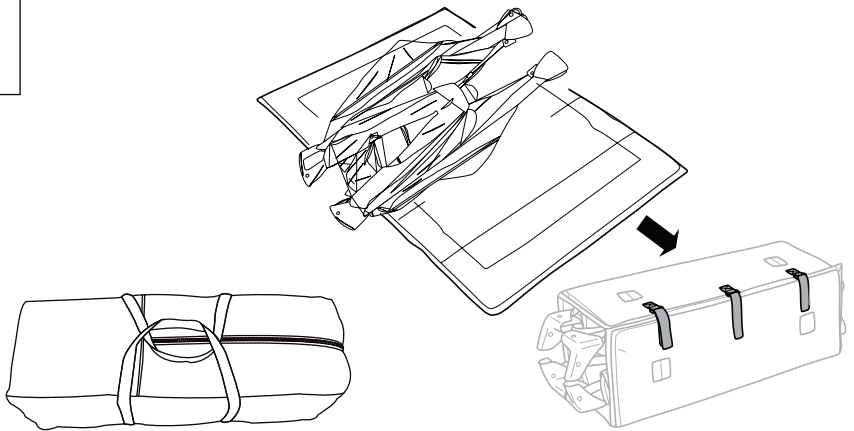
4



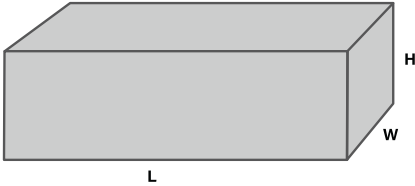
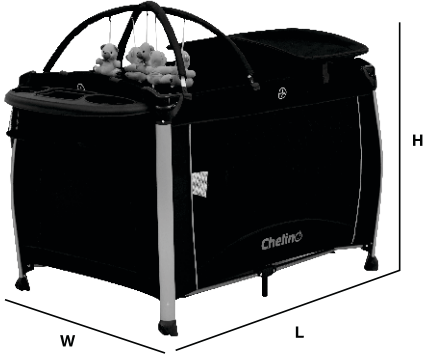
5



6



Dimension info



| | | | |
|---------------|--------------|----------------------|-------------|
| LENGTH | 110CM | CARTON LENGTH | 82CM |
| WIDTH | 76CM | CARTON WIDTH | 29CM |
| HEIGHT | 76CM | CARTON HEIGHT | 29CM |

WEIGHT **14.5 KGS**

SAFETY HINTS \ INSTRUCTIONS OF USE \ WARRANTY & GAURANTEE GUIDELINES

1. Please read this User Guide thoroughly before using this product. If you are not sure on any point in this guide please consult with the sales person whom sold you this product or contact Chelino on 0118352520. Our offices hours are Monday to Thursday from 9:00 am to 13:00 pm and 14:00 pm to 16:30 pm and Fridays from 9:00 am to 12:00 pm and 14:00 pm to 16:30 pm. Our offices are closed on Saturdays, Sundays, Public holidays and for three weeks during the December/ January festive season. We are situated at 12 Kimberlite Road, Theta Ext, Booyens Reserve, 2091, Johannesburg, Gauteng, RSA.

2. To avoid suffocation or swallowing or any other illness, please keep all packaging which have been removed from parts wrapped in the box away from infants, toddlers, children or any other living being. Please carefully dispose of the unwanted packaging once this product is fully assembled and you are satisfied with your purchase.

3. Please make sure that you are entirely satisfied with your purchase before removing the warning card attached to this product and before using this product. Once the warning card has been removed and if this product has been used we will not accept the return of this product.

4. If you are not entirely satisfied with this product purchased, please disassemble this product and re-pack it in the original packaging and return it to the store you purchased it from together with the proof of purchase. Depending on the stores policy, you will either be entitled to a replacement product, a credit voucher or a refund. This depends on the stores policies.

5. If you are not entirely satisfied with the assemble of this product or if you are not 100% sure that you have assembled this product correctly, please take this product back to the store you purchased it from and request for some assistance in checking if the assembly is correct or get this product assembled. Depending on the store's policy, there could be an extra charge for this service. Chelino will not take any responsibility if this product is incorrectly assembled thus causing any sort of injury to the user or the child. Alternatively you can contact Chelino directly on 0118352520, our offices hours are Monday to Thursday from 9:00 am to 13:00 pm and 14:00 to 16:30 pm and Fridays from 9:00 am to 12:00 pm and 14:00 pm to 16:30 pm. Our offices are closed on Saturdays, Sundays, Public holidays and for three weeks during the December/ January festive season. There is a charge for the assembly of any product. If you require a Chelino representative to assemble this product you will have to bring this product to our offices which are situated at 12 Kimberlite Road, Theta Ext, Booyens Reserve, 2091, Johannesburg, Gauteng, RSA.

6. Please note, that any repair which will needs to be made to this product must be done at the Chelino workshop which is situated at 12 Kimberlite Road, Theta Ext, Booyens Reserve, 2091, Johannesburg, Gauteng, RSA. Our offices hours are Monday to Thursday from 9:00 am to 13:00 pm and 14:00 pm to 16:30 pm and Fridays from 9:00 am to 12:00 pm and 14:00 pm to 16:30 pm. Our offices are closed on Saturdays, Sundays, Public holidays and for three weeks during the December/ January festive season. We do not provide any loan\courtesy products while your product has been sent in for repairs. Chelino requires 7 working days to repair any product, but this lead time may vary depending on the transportation of the product too and from yourself. Once the warranty card is detached from this product and once this product is used even if used once and if there is a fault, this product will need to be sent to the Chelino Workshop for the repair and no refund\credit\exchange will be allowed. Only a Chelino representative can decide whether the product needs to be replaced\credited\exchanged.

7. Once you are satisfied with the assembly of this product and have read this instruction and agree to the terms stated and are ready to use this product, please ensure that all safety locks are engaged to ensure safe use of this product.

8. Never leave the child unattended or without parent/guardian supervision while in this product, as injury could be caused by other parties intentionally or unintentionally.
9. Never lift or wheel this product while the child is in it. This can cause this product to fold and thus causing injury to the child seated in this product. When confronted with a staircase, no matter how many steps there are, please use the alternatives or remove the child from this product before using the staircase.
10. This product including rails must be fully erected prior to use. Rails must be locked in the upright position.
11. Make sure latches are secure.
12. Do not use this product if the enclosed or attached assembly cannot be strictly adhered to. Do not place cords, straps or similar items that would harm the child. Ensure that the sides are properly latched or locked in place when this product is in use.
13. Do not suspend strings over this product or attach strings to the toy bar.
14. Do not place pads or other objects inside this product that may assist the child in climbing out.
15. Do not use this product if the child is able to climb out unaided or is taller than 89cm. the recommended period for use of this product is for a child under 14kg or less.
16. Never allow the child to stand on the bassinette of this product. This can cause this product to fall over thus causing injury to the child. If the child is able to lift itself up drop the bassinette to the lower level.
17. Do not place this product near to a window where cords from blinds or drapes can strangle a child.
18. Do not use this product if any parts are broken, torn or missing.
19. Do not use a water mattress in this product.
20. Never use plastic bags or cellophane as a mattress cover. This can cause suffocation.
21. This product is designed for the use of only one child. This product cannot accommodate more than one child.
22. Always engage the brake when you are not using this product. Please note, by applying the brake one still cannot leave the child unattended and without parent supervision. If the brake is not engaged properly the product will move.
23. Nappy changers are designed for children up to the weight of 9kg. please do not use the changer for a child over 9kg as this will cause damage to the product and cause injury to the child.
24. Prevent and do not allow any child to climb on to any part of this product. This imbalance of weight can cause this product to topple thus causing injury.
25. Storage compartments are there for convenience and are not suitable for holding large or heavy objects. These areas are also not waterproof or leak proof and spillage can occur.
26. If this product is provided with a mosquito net, please ensure that it is correctly fitted to avoid suffocation.
27. Chelino takes no responsibility and will not be held liable for any damage or injury caused by using this product or if this product is used for any other purposes other than its intended purpose.
28. Please note, there are no warranties or guarantee on any fabric or on the mobile units of this product.

ChelinoBaby®

Stores: ChelinoBaby – Ormonde - JHB

ChelinoBaby – Fourways – JHB

ChelinoBaby – Menlyn – Pretoria

ChelinoBaby – Kolonnade-Pretoria

ChelinoBaby – Gateway - Durban

ChelinoBaby – Online –www.chelinobaby.co.za



Importer:

Anchor International

Add: 12 Kimberlite Road , Theta Ext 5 Booyens Reserve , JHB
2091 South Africa.

Tel: +2711 8352520

Info: info@chelino.co.za